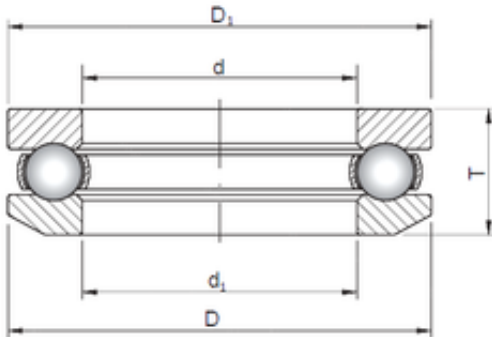


### 53411 ISO Thrust Ball Bearings



Bearing No. 53411

Bore Diameter	55 mm
Outer Diameter	120 mm
d	55 mm
d1	57 mm
D	120 mm
D1	120 mm
T	50,5 mm

53411 Bearing 2D drawings and 3D CAD models