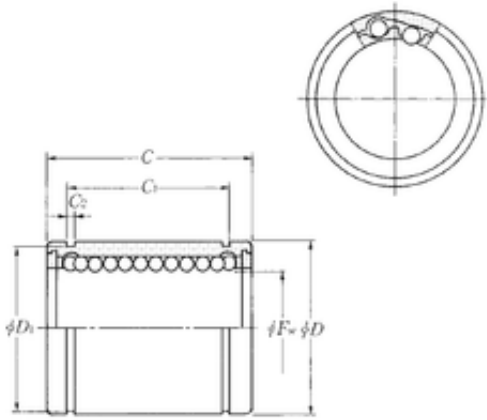


KLM16 NTN Linear Bearings

Bearing No. KLM16



KLM16 Bearing 2D drawings and 3D CAD models

Size	16x28x37 mm
Bore Diameter	16 mm
Outer Diameter	28 mm
Width	37 mm
Fw	16 mm
D	28 mm
C	37 mm
C1	26,5 mm
D1	27 mm
C2	1,6 mm
Weight	0,075 Kg
Basic dynamic load rating (C)	875 kN